

HAMPTON BAY®

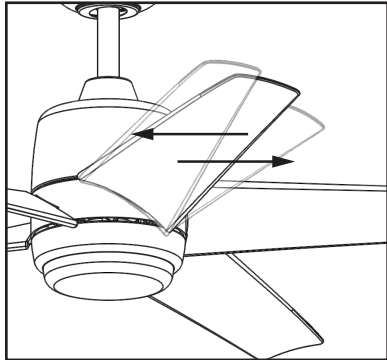
54" MARA CEILING FAN: HOW TO CHECK BLADE SECURITY

UPC # 082392599195, 082392519186, 082392519193, 082392599188
 Item #1005 096 060, 1005 096 031, 1004 773 034, 1004 773 032
 Model #51918, 51919, 59918, 59919
 UL Model 54-INDO

HAZARD: The fan blade's locking clips may not be properly secured, which may allow the blade to be ejected from the fan, posing an injury hazard to consumers.

WARNING: To avoid possible electrical shock, turn the electricity off at the main fuse box before attempting the steps below. If you feel you do not have enough electrical wiring knowledge or experience, contact a licensed electrician.

STEP 1: CHECK BLADE SECURITY



For each blade, grasp the blade and attempt to move it back and forth within the fan body. When installed properly, there should be no movement between the blades and the fan body. Avoid moving the blades up and down to prevent damage to the blades.

Look for any uneven gaps between the blade and motor assembly. See image (A) below for reference.

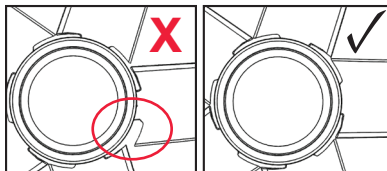
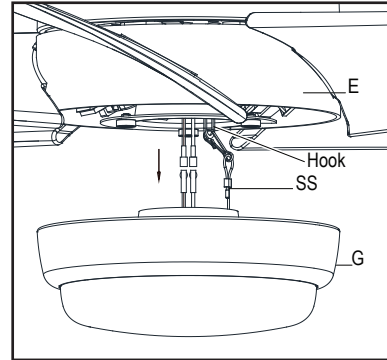


Image A: Uneven gap (left) or normal gap (right) between blade and fan body.

IF ANY BLADE MOVEMENT OR UNEVEN GAPS BETWEEN THE BLADES AND FAN BODY ARE IDENTIFIED, PLEASE DISCONTINUE USE OF THE FAN AND CONTACT US.

STEP 2: REMOVE THE LIGHT

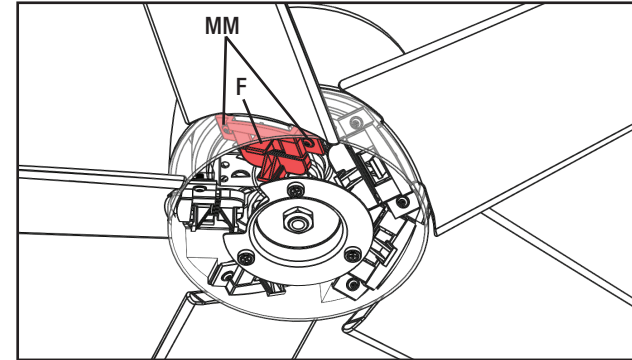


Remove the light kit (G) from the fan by pulling the magnetic light kit pan down.

Disconnect the wires from the light kit assembly (G) from the wires from the fan motor assembly (E) by pulling the molded adaptor plugs apart.

Disconnect the safety cable (SS) from the light kit assembly (G) from the hook from motor assembly (E).

STEP 3: CHECK BLADE CLIP SECURITY



For each blade clip (F), check that both screws (MM) are in place and not cross-threaded. To identify a cross-threaded screw, you may use your finger or an index card to locate any gaps between the screwhead and blade clip. See images (B) and (C) for reference

Using a Phillips head screwdriver, ensure that all 10 blade clip screws (MM) are completely tightened. Avoid using power tools to prevent damage.

By hand, attempt to wiggle each blade clip (F) to ensure it is secure with no movement.

IF YOU IDENTIFY ANY ISSUES WITH THE SECURITY OF THE BLADE CLIPS, LOOSE BLADE CLIP SCREWS, STRIPPED SCREWS, OR ANY CROSS-THREADED SCREWS, PLEASE DISCONTINUE USE OF THE FAN AND CONTACT US.

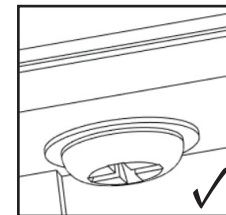


Image B:
Properly installed screw

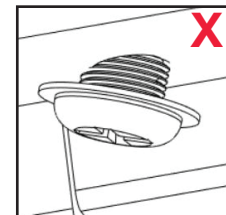
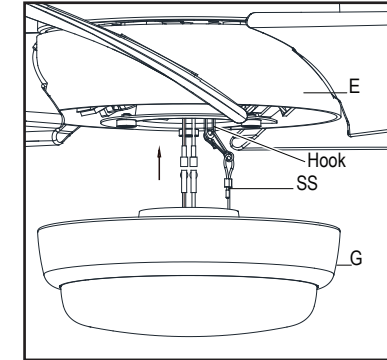


Image C:
Cross-threaded screw

STEP 4: REINSTALL THE LIGHT

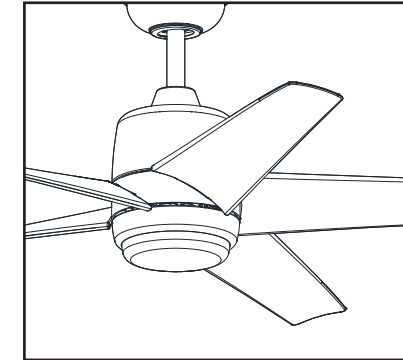


Reconnect the safety cable (SS) on the light kit (G) to the hook on the motor housing (E).

Reconnect the wires from the light kit (G) to the wires from the fan motor housing (E) by snapping the wire connectors together.

Carefully tuck the wires into the fan body and reattach the light (G) by pushing it up to the motor housing (E) and engaging the magnets to secure it into place.

STEP 5: FINAL BLADE CHECK



Reconfirm that each blade is properly installed by gently pulling the blade away from the fan body. If a blade comes out, push the blade back in until the blade clip fully engages. You may hear an audible click when the clip engages.

Once again, grasp each blade and attempt to move it back and forth within the fan body. There should be no movement of the blades when installed properly.

IF THERE IS ANY MOVEMENT BETWEEN THE BLADES AND FAN BODY, PLEASE DISCONTINUE USE OF THE FAN AND CONTACT US.

IF YOU ENCOUNTER ISSUES WITH ANY OF THESE STEPS, PLEASE DISCONTINUE USE OF THE FAN AND CONTACT US IMMEDIATELY.

Please call, e-mail or visit us at:

1-866-443-1291 • 9 AM - 5 PM E.S.T., Monday - Friday

MaraRecall@kingoffans.com • www.kingoffans.com/MaraRecall.htm



To view the instructional video please visit kingoffans.com/MaraRecall.htm or scan the QR code with your smart phone

